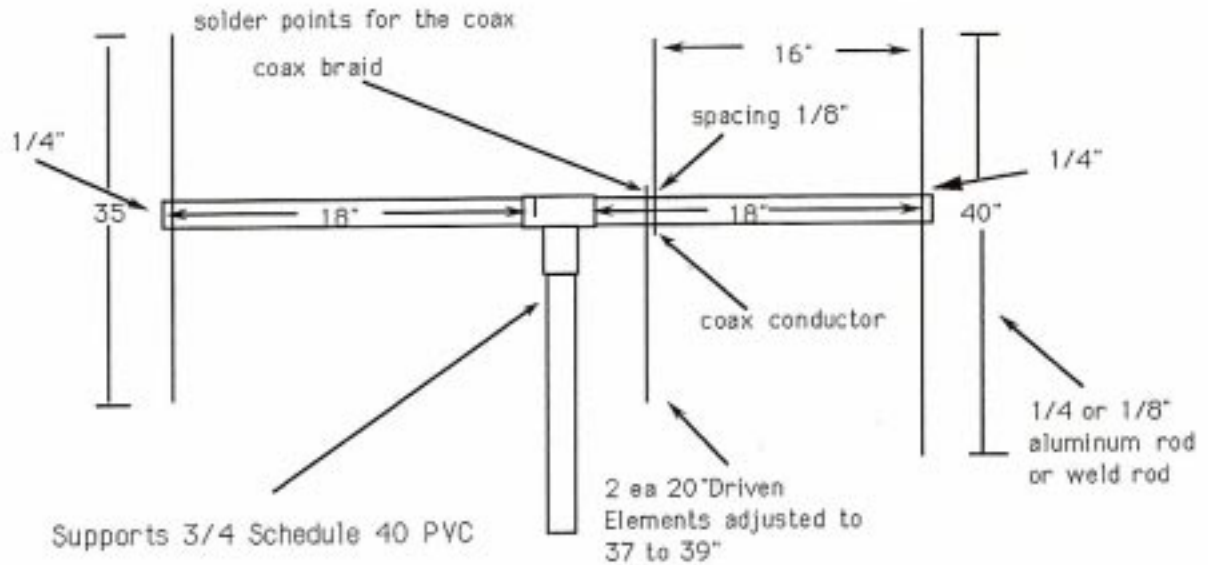


2 Meter Yagi

By Nathan Loucks, WBOCMT
From April 1993 QST



Elements - Steel
Oxyacetylene Welding Rods
Driven Element Formulae
 $L=475$ divided by Frequency